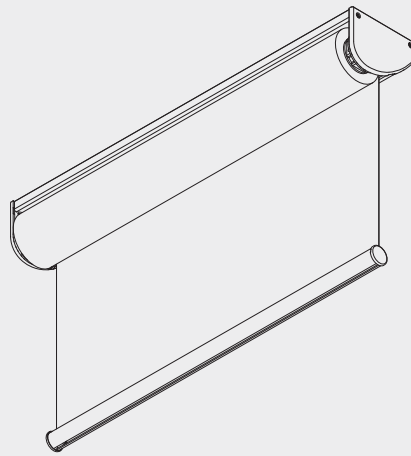


Battery Operated Roller Blind System

Silent Gliss® 4955



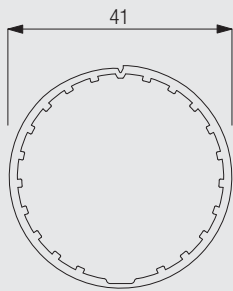
Product Information

- Elegant battery operated, radio controlled roller blind system for contract and residential applications.
- Battery pack concealed in fascia profile. Batteries are easily exchanged.
- Long lasting battery life, up to three years (depending on usage, system size, fabric and battery type, room temperature)
- Easy wall, ceiling or recess fixed.
- Choice of bottom bar designs.
- Supplied complete with motor, ready assembled, made-to-measure with fabric.
- Compliant with Child Safety Legislation (EN13120)



4955

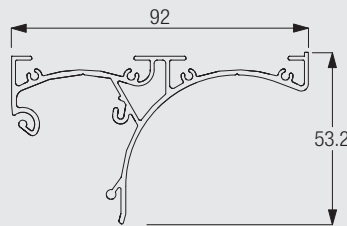
Profile and Bending Information



10532



Cannot be bent



11081



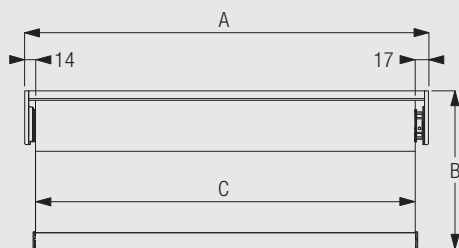
Cannot be bent

Specification Guide - download from the Silent Gliss Website (password required) www.silentgliss.co.uk

Battery operated roller blind system 4955. Assembled complete with anodised aluminium headrails 10532/11081. Bottom bar 4221 / 10633 / 10634. Battery motor 11076 controlled by radio wall switch 10949 as standard. Other control options are wall switches 10950/10951 and radio remote handsets 10946/10947/10948.

How to Measure

Measurement information



A: System width
B: System drop
C: Fabric width



4955

System Dimensions



2.4m



60 cm



4m



2.5kg
(incl. bottom weight)

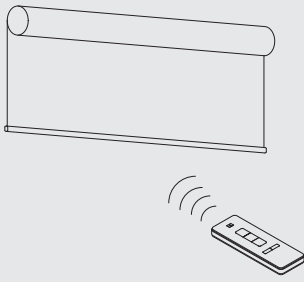
Maximum system drop

| Fabric thickness | mm | 0.15 | 0.20 | 0.25 | 0.30 | 0.35 | 0.40 | 0.45 | 0.50 | 0.55 | 0.60 | 0.65 | 0.70 | 0.75 | 0.80 |
|------------------|----|------|------|------|------|------|------|------|------|------|------|------|------|------|------|
| Max. system drop | cm | 400 | 400 | 400 | 400 | 400 | 400 | 390 | 350 | 320 | 290 | 270 | 250 | 230 | 220 |

Please note: The max. system width/drop also depends on the fabric type.

System Features

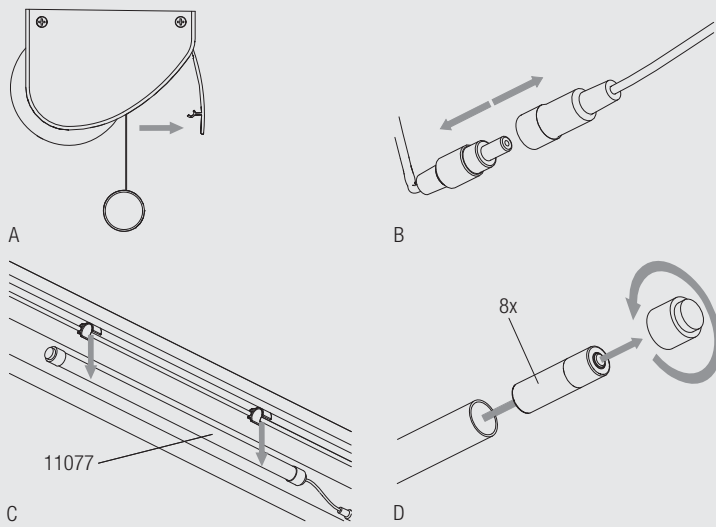
Radio hand-held and wall controls



The motor SG 11076 features an integrated radio receiver. Combined with radio remote controls and wall switches, this system offers maximum comfort without wiring.

Note: The blind is supplied as standard with a WALL SWITCH, hand held remote controls can be purchased separately, see Optional Accessories.

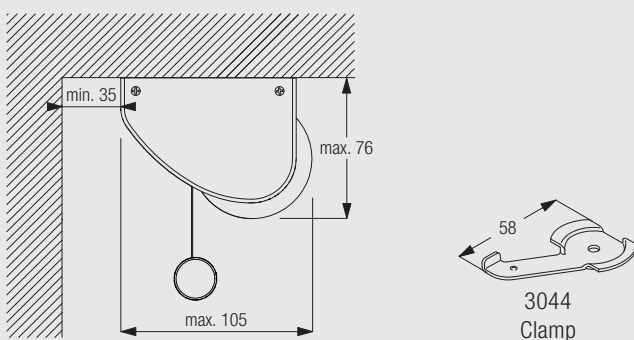
Battery exchange



4955

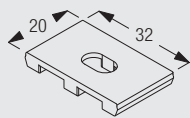
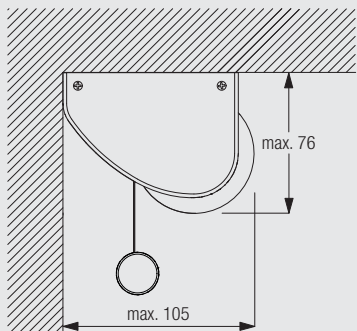
Fitting Options

Ceiling fitting with clamps 3044



All these measures are based on the maximum system dimensions.

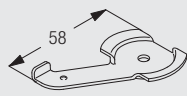
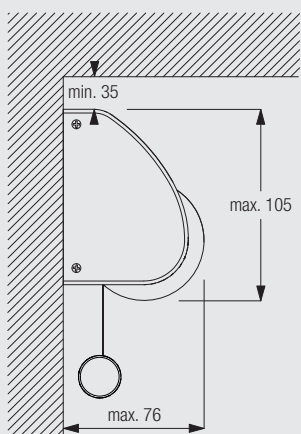
Ceiling fitting with direct mounting



11086
Installation support
plate

All these measures are based on the maximum system dimensions.

Wall fitting with clamps 3044



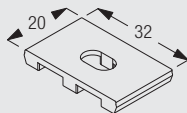
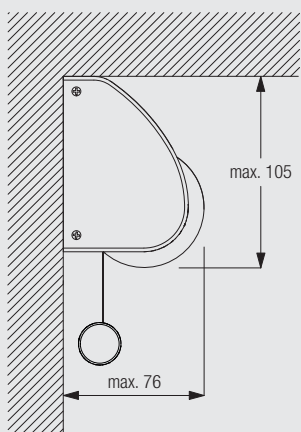
3044
Clamp

All these measures are based on the maximum system dimensions.



4955

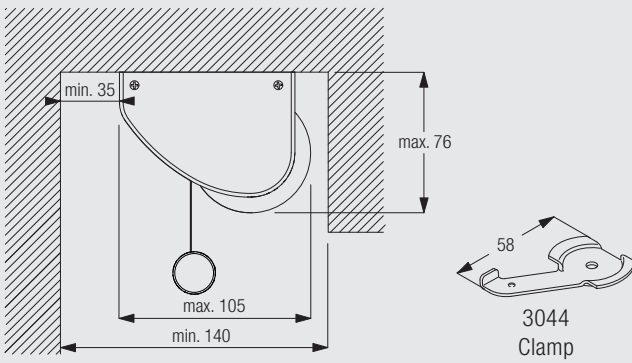
Wall fitting with direct mounting



11086
Installation support
plate

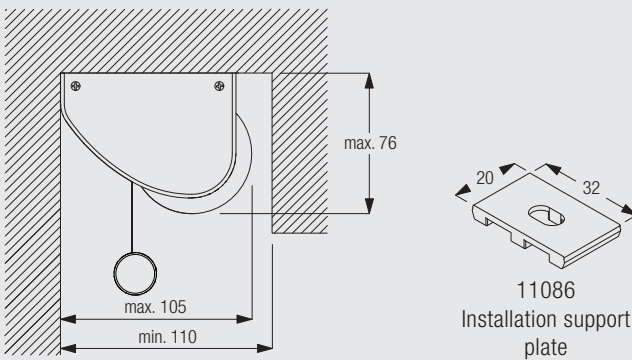
All these measures are based on the maximum system dimensions.

Recess fitting with clamps 3044



All these measures are based on the maximum system dimensions.

Recess fitting with direct mounting





All these measures are based on the maximum system dimensions.

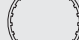
Standard Accessories





4955


3044 Clamp 


4221 Bottom bar 


10532 Profile 


10543 Support bracket click side 


10544 Support bracket drive side (24V DC motor) 


10639 End cover round 


10949 Radio wall transmitter, 1 channel 


11076 Motor, 1.2 Nm 


11077 Battery box 

11081 Profile 

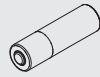
11082 Profile cover 

11083 Cover right 

11084 Cover left 

11085 Battery box holder 

11099 Alkaline AA battery



Optional Accessories

10633 Bottom bar rectangle



10634 Bottom bar oval



10635 End cover rectangle



10637 End cover oval



10946 Radio hand-held transmitter, 1 channel



10947 Radio hand-held transmitter, 2+1 channel



10948 Radio hand-held transmitter, 6+1 channel



10950 Radio wall transmitter, 2 channel



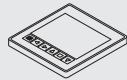
10951 Radio wall transmitter, 5+1 channel



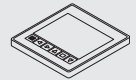
11086 Installation support plate



11092 Single Channel Timer (Radio)



11093 Multi-Channel Radio Control Timer

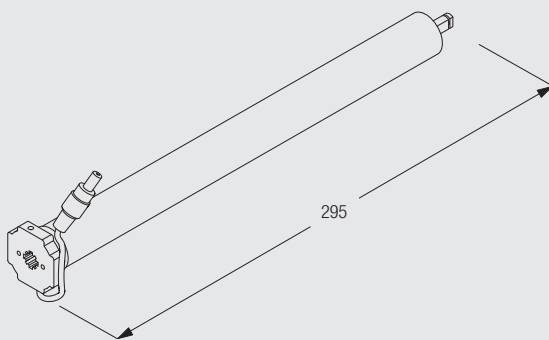


Motor & Controls

Motor Silent Gliss 11076



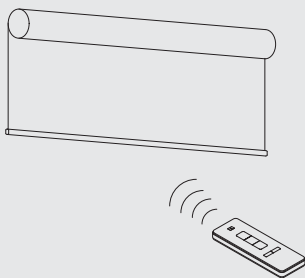
4955



- Voltage: DC 12 V
- Torque: 1.2 Nm
- Speed: 30 rpm
- Power: 6.6 W
- Current: 550 mA

Operation Methods

Radio hand-held and wall controls



The motor SG 11076 features an integrated radio receiver. Combined with radio remote controls and wall switches, this system offers maximum comfort without wiring.

Note: The blind is supplied as standard with a WALL SWITCH, hand held remote controls can be purchased separately, see Optional Accessories.