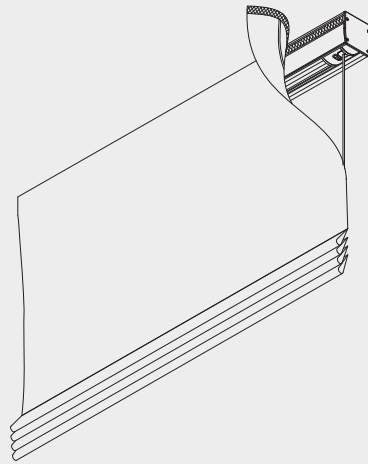


# Battery Operated Roman Blind System

## Silent Gliss® 2345



### Product Information

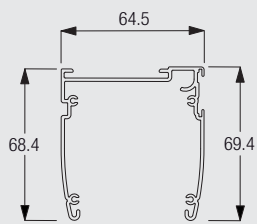
- Battery operated, radio controlled Roman blind system for contract and residential applications.
- Motor contained within headbox.
- Battery pack concealed behind fabric. Batteries can be easily exchanged.
- Long lasting battery life, up to three years (depending on usage, system size, fabric and battery type, room temperature)
- A revolutionary cord release mechanism combined with velcro tape fixing makes maintenance and cleaning of fabric easy.
- Easy ceiling or wall fix to all surfaces.
- Compliant with Child Safety Legislation (EN13120).



2345

## Profile and Bending Information

### Cassette

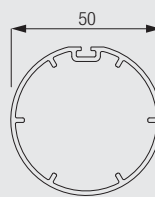


2351



Cannot be bent

### Winding Tube



2352



Cannot be bent

**Specification Guide** - download from [www.silentgliss.co.uk](http://www.silentgliss.co.uk) (password required). Silent Gliss 2345 battery operated Roman blind system ready-assembled in aluminium headbox 2351 complete with winding tube 2352, lift cord 2216 and cord release mechanism 2353/2354. Ceiling/face fix using universal bracket 2363 at 80cm centres.

## System Dimensions



6m



60cm



6m



2.5kg  
(incl. bottom bar and rods)

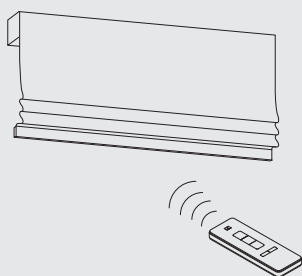
The system dimensions depend on the total fabric weight including the bottom weight bar and the cross rods (if hard fold).

## System Features



2345

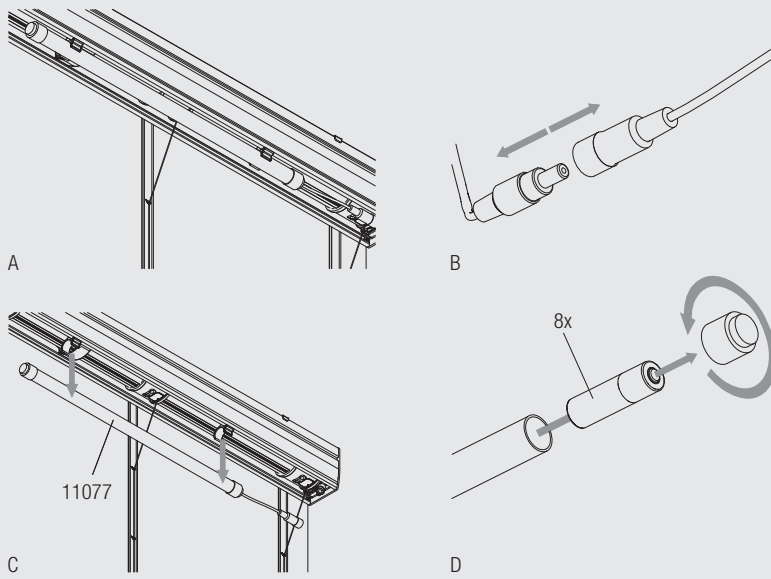
### Radio hand-held and wall controls



The motor SG 11076 features an integrated radio receiver. Combined with radio remote controls and wall switches, this system offers the benefits of motorised operation without wiring.

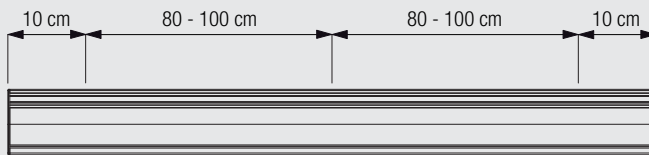
**Note:** The blind is supplied as standard with a WALL SWITCH, hand held remotes can be purchased separately, refer to Optional Accessories.

## Battery exchange

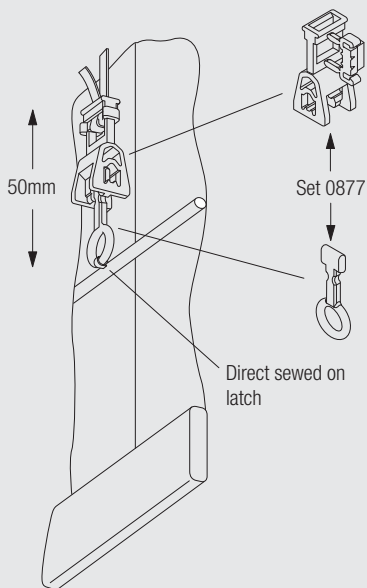


## Fitting and Sewing information

### Bracket Positioning



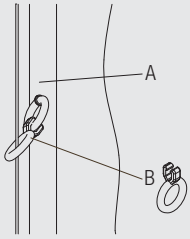
### Fixing of cords / tapes



Using Breakaway Bottom Bar Set 0877

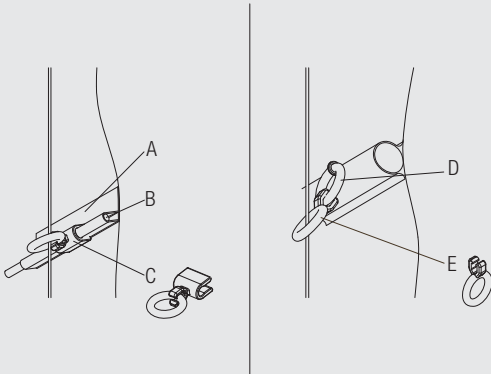


2345



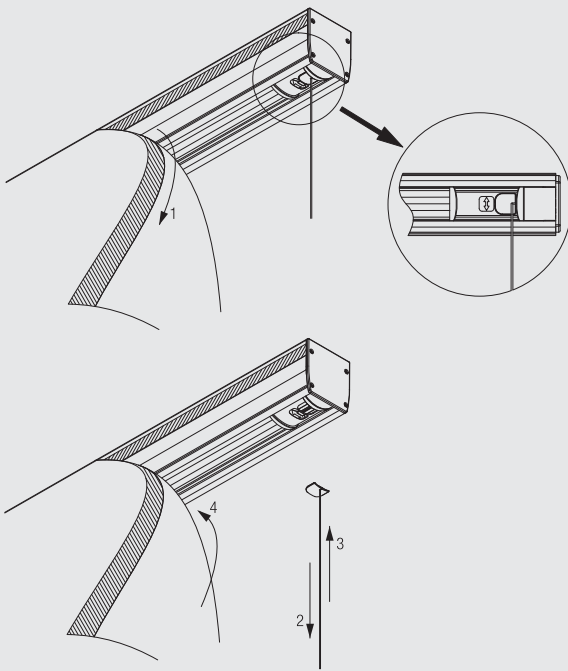
Soft fold:  
 A: Breakaway Ring Tape Set 0879  
 B: Set includes Child Safety Eyelet

Note: The Breakaway Ring Set is available without tape (part number 0878).



Hard fold:  
 A: Tape 2136  
 B: Steel rod 2135  
 C: Child Safety Eyelet (hard fold) 3069  
 D+E: Breakaway Ring Set 0878

### Easy Washing / Easy Maintenance through Cord Release Mechanism



With the new developed cord release mechanism, taking down of the fabric becomes very easy.

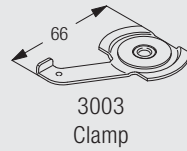
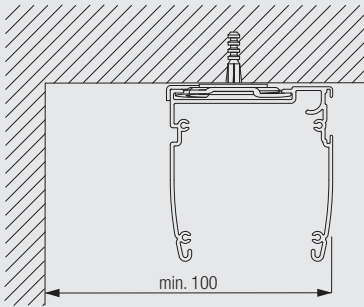
- 1: Remove fabric from Velcro in down position of blind
- 2: Take off the pins by pulling on the lift cord
- 3: After washing, just press pins back to the shell
- 4: Refix fabric to the Velcro tape on profile



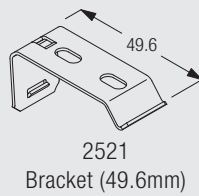
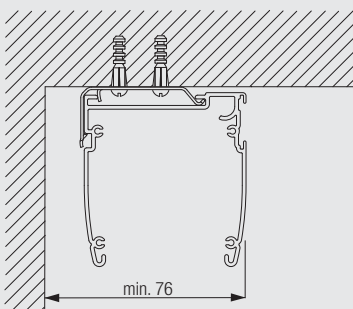
2345

## Fitting Options

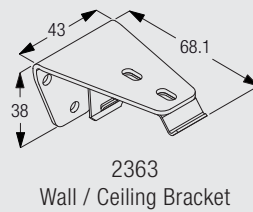
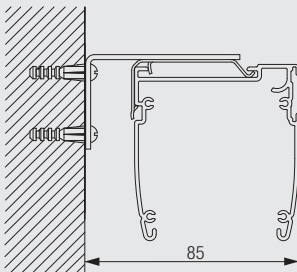
### Ceiling fitting with clamp 3003



### Ceiling fitting with bracket 2521



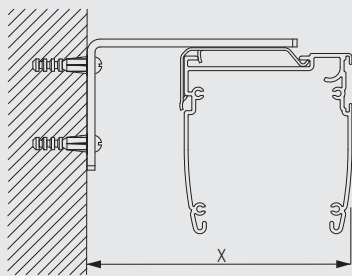
### Ceiling / Wall fitting with bracket 2363



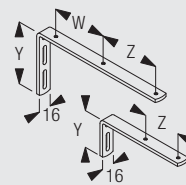
2345

The ceiling fixing with the Bracket 2363 is according to the ceiling fixing with the Bracket 2521.

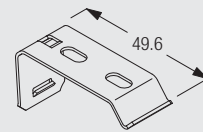
## Wall fitting with brackets 3134-38 and bracket 2521



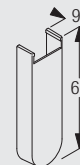
	X (mm)	W (mm)	Y (mm)	Z (mm)
3134	80		50	
3135	100		50	50
3136	120		50	50
3137	140		80	50
3138	170	60	80	60



3134-39  
Extension brackets  
(60-200mm)



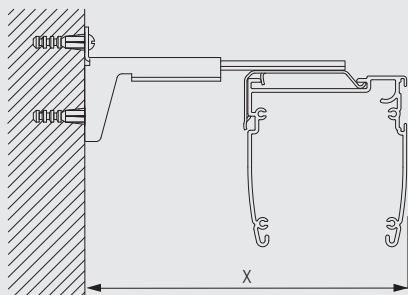
2521  
Bracket (49.6mm)



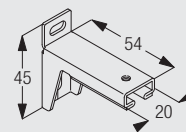
3133  
Bracket cover  
(60mm)

Brackets feature thread for screw M4 x 6 for fixing the Bracket 2521.

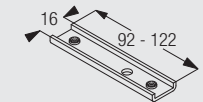
## Wall fitting with bracket support 3271, bracket plates 3273-74 and bracket 2521



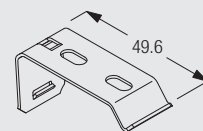
	X (mm)	W (mm)	Y (mm)	Z (mm)
3134	80		50	
3135	100		50	50
3136	120		50	50
3137	140		80	50
3138	170	60	80	60



3271  
Adjustable bracket  
base



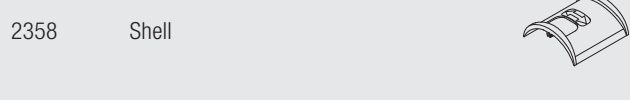
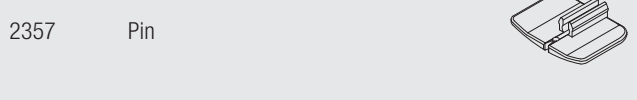
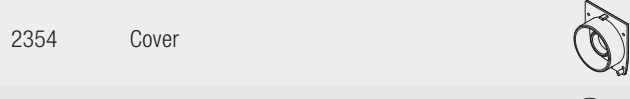
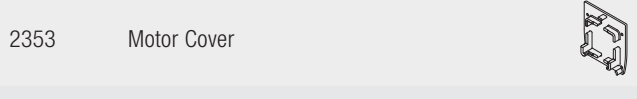
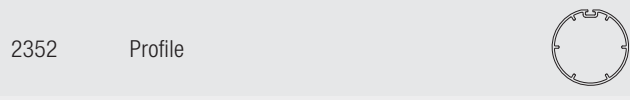
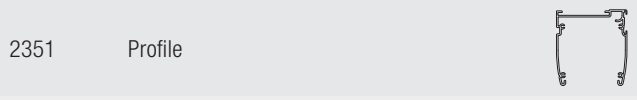
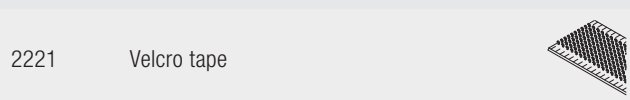
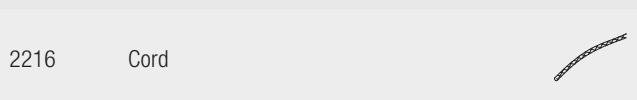
3273-74  
Bracket plates

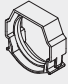











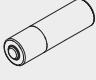


2521  
Bracket (49.6mm)

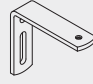
Brackets feature thread for screw M4 for fixing the Bracket 2521.

## Standard Accessories



2359	Support		2361	Adapter	
2363	Wall / Ceiling Bracket		2368	Motor adapter plate	
3003	Clamp		3069	Breakaway rod cover (hard fold)	
10949	Radio wall transmitter, 1 channel		11071	Motor drive	
11074	Tube adapter		11076	Motor, 1.2 Nm	
11077	Battery box		11085	Battery box holder	
11099	Alkaline AA battery				

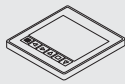
## Optional Accessories

2004	Bottom bar		2006	Weight bar	
2362	Wire Holder		2521	Bracket (49.6mm)	
3133	Bracket cover (60mm)		3134	Extension bracket (60mm)	
3135	Extension bracket (80mm)		3136	Extension bracket (100mm)	
3137	Extension bracket (120mm)		3138	Extension bracket (150mm)	
3139	Extension bracket (200mm)		3271	Adjustable bracket base	
3273	Adjustable bracket arm (92mm)		8235	Wire base short	
8236	Wire base long		8237	Wire holder	
8249	Locking ring		10946	Radio hand-held transmitter, 1 channel	
10947	Radio hand-held transmitter, 2+1 channel		10948	Radio hand-held transmitter, 6+1 channel	
10950	Radio wall transmitter, 2 channel		10951	Radio wall transmitter, 5+1 channel	

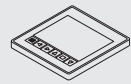


2345

11092 Single Channel Timer (Radio)



11093 Multi-Channel Radio Control Timer



3133L Extended bracket cover for 3137/8/9



## Sewing Accessories

0877 Breakaway bottom bar set



0878 Breakaway ring set (soft fold)



0879 Breakaway ring tape (soft fold)



2135 Steel rod



2136 Rod Tape

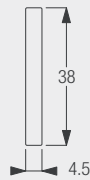


3069 Breakaway rod cover (hard fold)

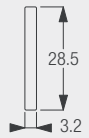


## Useful Measures

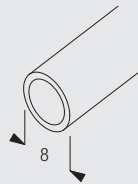
2004 Bottom Bar



2006 Bottom Bar



2144 Profile

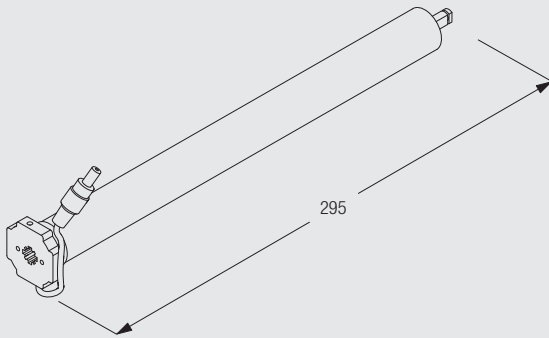


2345



## Motor & Controls

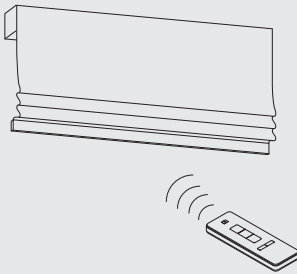
### Motor Silent Gliss 11076



- Voltage: DC 12 V
- Torque: 1.2 Nm
- Speed: 30 rpm
- Power: 6.6 W
- Current: 550 mA

### Operation Methods

Radio hand-held and wall controls



The motor SG 11076 features an integrated radio receiver. Combined with radio remote controls and wall switches, this system offers the benefits of motorised operation without wiring.

**Note:** The blind is supplied as standard with a WALL SWITCH, hand held remotes can be purchased separately, refer to Optional Accessories.



2345